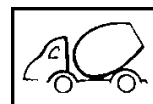


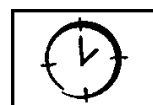
INSTALLATION



2.25m³

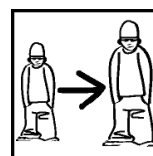


3



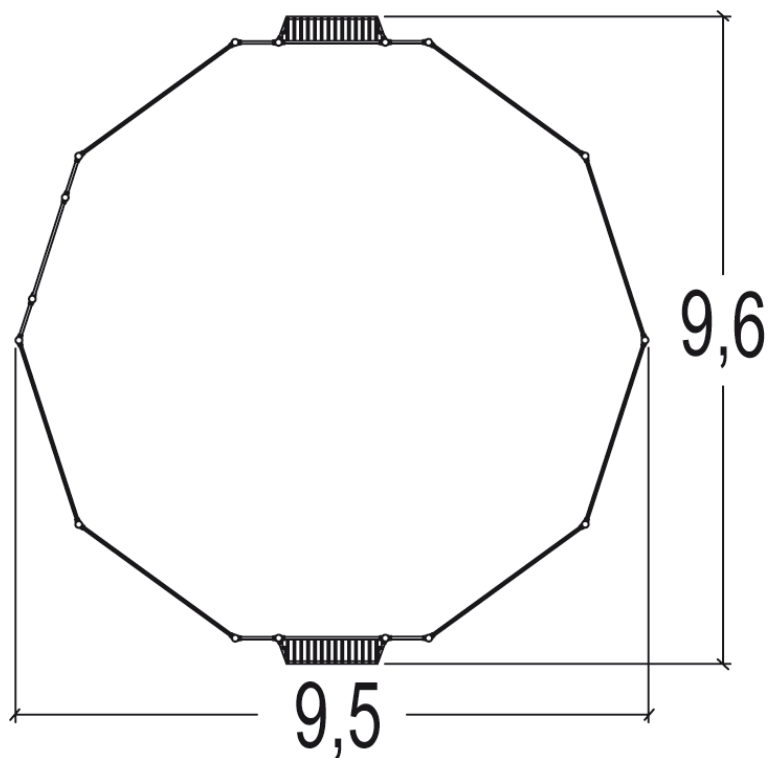
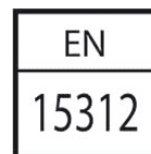
08h00

INFOS DIVERSES



6+

CERTIFICATIONS



Poids total = 823 kg

Elément le + lourd = 45 kg